

# General Specifications

## Model UT520 Digital Indicating Controller



GS 05D01C02-02E

### ■ General

Model UT520 Digital Indicating Controller is an intelligent, micro-processor based digital indicating controller with powerful control capability and the user-friendly large numerical display. The UT520 features as standard many functions which are necessary for various control applications, and all of these functions such as control function, control computation function, signal computation function, etc. can be configured by using the keys on the front panel. The instrument has eight types of control strategies and also an overshoot suppressing function "SUPER" and a hunting suppressing function "SUPER 2" as well as an auto-tuning function built in as standard. Panel size is small, 48 mm (width) × 96 mm (height), and designed for saving space.

### ■ Main Features

- High resolution display of 5 digits. Since LEDs of 12 mm height are used for displaying measured values, the display is clearly read.
- The front panel size is 48 mm (width) × 96 mm (height) and the depth is 100 mm, designed for saving space.
- Eight types of control function, including single-loop control, cascade control, loop control with PV auto-selector, and loop control with PV-hold function, enabling the operator to start control operation immediately after simply entering the settings.
- Parameter can be easily set using a personal computer. ("Parameter setting tool (model LL100)" sold separately is required.)
- Universal input and output enables users to set or change freely the type of measured inputs, measurement input range, type of control output, etc. from the front panel.
- Contact inputs (up to 4 points) and contact outputs (up to 4 points)<sup>Note</sup> can be employed and functions can be assigned to each contact (The maximum number of points varies depending on the specification code.)  
Note: See the Hardware Specifications and Contact Outputs described later.
- Various communication function are provided. Communication is possible with personal computer, programable logic controller, and other controllers.

### ■ Functional Specifications

#### ● Control Functions

##### UT Mode

The following types of basic control structure can be set as the UT mode by the user.

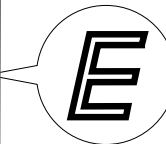
- Single-loop control (UT mode 1):  
The most simple and basic control function.
- Cascade primary-loop control (UT mode 2):  
Output tracking function and cascade control logic are provided. Suitable for primary-loop cascade control.
- Cascade secondary-loop control (UT mode 3):  
Setpoint output and the cascade control logic are provided. Suitable for secondary-loop cascade control.

### UT520



#### UT520E

"E" indicates the model with expanded functions.



#### Cascade control (UT mode 4):

Dual control function for cascade control is available in a single instrument.

#### Loop control for back-up (UT mode 5):

Output tracking function is provided to back up another control instrument. The local and remote control outputs are switched by a contact input.

#### Loop control with PV switching (UT mode 6):

Two measured inputs are switched for control depending on the status of contact input or measured input.

#### Loop control with PV auto-selector (UT mode 7):

Two measured inputs are automatically selected for control with a high, low, or average, or temperature-difference value selector.

#### Loop control with PV-hold function (UT mode 8):

This control holds a PV input and a control output if an external sensor is switched.

#### ● Control Computation Functions

In each UT mode, the following control computation functions can be selected.

Continuous PID control, Time-proportional PID control, and Relay ON/OFF control.

#### Target setpoint and PID parameters:

Maximum eight sets of target setpoint and PID parameters can be set. These eight sets can be set for both the main and slave loops in cascade control.

#### Zone PID selection:

Dividing measuring range into maximum 7 zones by maximum 6-reference points, PID parameter set switching in up to 7 measured input zones.

#### Auto-tuning:

Available as standard. Possible to activate auto-tuning for both main and slave loops for cascade control.

**Preset output function:**

When the instrument is in STOP mode, measured input is burnt-out, or an abnormality is found in an input circuit, a preset value is output as a control output.

**"SUPER" function:**

Overshoots generated by abrupt changes in the target setpoint or by disturbances can be suppressed.

**"SUPER 2" function:**

The function stabilizes the state of control that is unstable due to hunting, etc. without requiring any change in PID constants, when the load and/or gain varies greatly, or when there is a difference between the characteristics of temperature zones.

**Control cycle time**

Each cycle time can be selected under the following conditions.:

- 50 ms: Available for model code UT520-00, when UT mode is set to Single-loop control and the following functions are not used: "SUPER" function, "SUPER 2" function, PV input computation, setpoint rate-of-change limiter, MV output rate-of-change limiter, deviation alarm, sensor grounding alarm, fault diagnosis alarm, and FAIL output.
- 100 ms: Available when UT mode is not cascade control.
- 200 ms: Available when UT mode is cascade control. (Set value on shipped from the factory: 200 ms)

**Operation Mode Switching**

(Note: Communication enables all the following mode switching to be executed.)

**AUTO/MANUAL switching:**

Bumpless switching between automatic operation mode and manual control mode is available by using the front keys or contact input. The contact input has priority over front key input or switching by communication. The contact input is invalid for Cascade secondary-loop control or Cascade control.

**RUN/STOP switching:**

Switching by contact input (bumpless for switching from STOP to RUN). The contact input has priority over switching by communication. In RUN mode, control computation is activated. In STOP mode, control computation ceases and a preset value is output as a control output while other functions operate normally.

**REMOTE/LOCAL switching:**

Switching between remote setpoint and local setpoint by instrument operation or contact input. The contact input has priority over instrument operation or switching by communication. For remote to local switching, either bumpless tracking (employing the remote setpoint on switching as the local setpoint) or without tracking (directly switching the local setpoint) can be specified.

**CASCADE/AUTO/MANUAL switching:**

Switching by instrument operation or contact input. The contact input has priority over instrument operation or switching by communication. Valid for Cascade second-

ary-loop control or Cascade control.

**Output tracking ON/OFF switching:**

Provided for Cascade primary-loop control or Loop control for backup. External tracking signal and internal control output are switched by the contact input. The contact input has priority over the switching by communication.

**Control Parameters Setting Range**

Proportional band: 0.1 to 999.9%

Integral time: 1 to 6,000 s, or OFF (for Manual reset)

Derivative time: 1 to 6,000 s, or OFF

ON/OFF control hysteresis:

0.0 to 100.0% of measured input range width

Preset output: -5.0 to 105.0% of the output (0 mA or less cannot be output)

**Output limiter:**

Setting range: -5.0 to 105.0% for both high and low limits

However, "low limit setpoint < high limit setpoint" must be satisfied.

**Shutdown function:**

When manual control is carried out with 4 to 20 mA output, control output can be output down to about 0 mA (shutdown is specified for -5.0% or less).

**Rate-of-change limiter for output:**

OFF or 0.1 to 100.0%/s

**● Configuration of Input/Output Signal****Measured Input Computations**

Input processing, Square root extraction (voltage input only, Input low cut 0.0 to 5.0%), Ten-segment linearizer function, Ten-Segment bias, Bias addition (-100.0 to 100.0%), and First order lag filter (OFF, time constant 1 to 120 s)

**Auxiliary Input Computations**

(Applied to remote setting input only)

Input processing, Square root extraction (Input low cut 0.0 to 5.0%), Bias addition (-100.0 to 100.0%), Ratio multiplication (0.001 to 9.999), and First order lag filter (OFF, time constant 1 to 120 s)

**● Alarm Functions****Alarm types:**

PV high limit, PV low limit, Deviation high limit, Deviation low limit, Deenergized on deviation high limit, Deenergized on deviation low limit, Deviation high and low limits, High and low limits within deviation, Deenergized on PV high limit, Deenergized on PV low limit, SP high limit, SP low limit, Output high limit, Output low limit.

**Alarm setting range:**

PV/SP alarm: -100 to 100% of measured input range

Deviation alarm: -100 to 100% of measured input range span

Output alarm: -5.0 to 105.0% of output value

Alarm hysteresis: 0.0 to 100.0% of measured input range span

**Delay timer:**

0.00 to 99.59 (minute, second)

An alarm is output when the delay timer expires after the alarm setpoint is reached.

Setting for each alarm is possible.

**Stand-by action:**

Stand-by action can be set to make PV/ deviation alarm OFF during start-up or after SP change until SP reaches the normal region.

**Timer function (stabilization of control status notification event) (Alarm 1 only):**

This function sets the alarm 1 output to ON when a preset time (timer setting) elapses after a PV has reached to the control target setpoint hysteresis band to notify that processing has completed. Restarted in RUN/STOP or SP switching.

**Other alarm actions:**

**Sensor grounding alarm:** Detects sensor deterioration and outputs an alarm.

**Fault-diagnosis alarm:** For input burnout, A/D conversion error, or thermocouple reference junction compensation error.

**FAIL output:** Abnormality in software or hardware.

**Number of alarm settings: 4**

The alarm status can be read via communication in addition to output as the above alarm output.

**Alarm output points (see also the item "Contact Outputs")**  
 Number of contact (relay) outputs: 3 (standard) or 4 (if a control output relay is used for the alarm 4 output relay.)

Any of PV alarm, deviation alarm, SP alarm, output alarm, Fault-diagnosis alarm, sensor grounding alarm and FAIL output can be assigned to contacts for the above number of outputs. However, the timer delay alarm can be assigned to the alarm 1 output only. Also, the alarm 4 only can be assigned to the control output relay (if a relay is not used for control output).

**● Display and Operation Functions**

**PV Display**

PV is displayed on the 5-digit display. PV1 and PV2 are displayed by switching them in cascade control. The number of display digits is 4 or 5. For thermocouple or RTD, data below the decimal point can be set not to display. The display range is -19999 to 30000 and the display span is 30000 or less. [520.00 appearing in the product photograph on page 1 cannot actually be displayed.]

**Setpoint Display**

A parameter name is displayed in the 3-digit display and data in the 5-digit display. There are four kinds of displays : operating display, operating parameter setting display, setup parameter setting display and SELECT display.

**Operating display:**

Data necessary for operations, such as setpoint or control output, are displayed depending on the UT mode.

**Operating parameters setting display:**

The Operating parameters, which are mainly changed during operation, such as PID constant, are displayed.

**Setup parameters setting display:**

The Setup parameters to configure the functions of the instrument before starting operation are displayed. UT model is to be set in this display.

**SELECT display:**

Up to five displays which are frequently accessed can be selected from the Operating parameters setting display and Setup parameters setting display to be displayed in the SELECT display.

**Status Lamps**

**Alarm indicating lamp:**

Four lamps, AL1, AL2, AL3, and AL4

**Operation mode indicating lamp:**

REM (remote operation), MAN (manual mode operation), CAS (cascade operation), and LP2 (cascade secondary-loop control)

**Operation Keys**

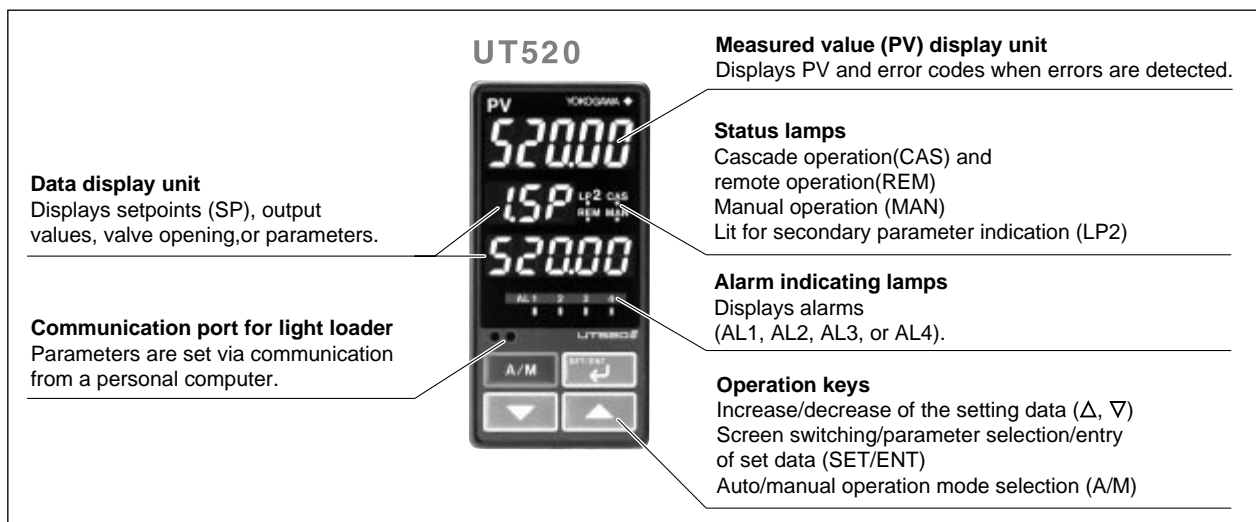
Δ, ∇ keys: Increases or decreases setpoints and other parameters displayed in the setpoint display.

SET/ENT key: Used for setting or change set data, switching the displayed contents, and switching operation modes except for A/M.

A/M key: Operation mode switching (Auto/Man)

**Security Function**

Key-lock by parameters setting and prohibiting operation are available by a password



● **Communication Functions**

(For optional function code □7 only)

This controller has four types of communication protocol with one communication interface. Communication is possible with personal computer, programmable logic controller, and other controllers.

**Communication Protocol**

Computer link communication:

Communication protocol with a personal computer

Ladder communication:

Communication protocol with the ladder program on some programmable logic controllers.

Coordinated operation:

Protocol for coordinated operation with more than one GREEN SERIES controller. The UT520 controller can be connected as a master or slave station.

MODBUS communication:

Communication protocol with a personal computer, or PLC.

**RS-485 Communication Interface**

The RS485 communication interface (conforms to EIA RS485) can be used for personal computer link, ladder communication, MODBUS communication or for coordinated operation.

Maximum number of connectable controllers:

GREEN SERIES controller 31

Maximum communication distance: 1200 m

Communication method:

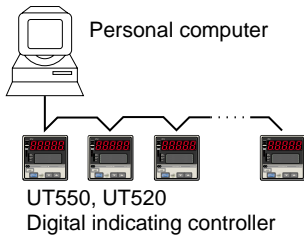
Two-wire half-duplex or four-wire half-duplex, start-stop synchronization, and non-procedural

Communication rate:

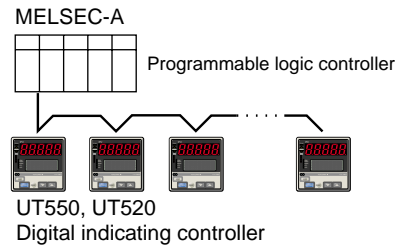
600, 1200, 2400, 4800, or 9600 bps

**Examples of Communication System Configuration Diagram**

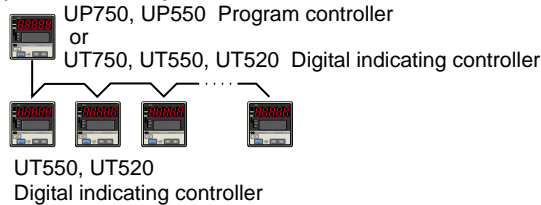
**(1) Personal computer link communication/  
MODBUS communication**



**(2) Ladder communication**



**(3) Coordinated operation**



## ■ Hardware Specifications

### ● Input/Output Signal Specifications

#### Measured Input Signal

Number of input points: 1

Type of input, measurement range, and measurement accuracy:

The type of input and measurement range can be specified from the input range code shown in the table below.

Sampling period: 50, 100, 200 or 500 ms (selectable)

Burnout detection:

Activated for thermocouple (TC) input, RTD input, or standard signal of 0.4 to 2 V DC or 1 to 5 V DC.

Possible to specify a travel of upscale, downscale, or off.

For standard signal input (see the table below), set to burn out at 0.1 V or less.

Input bias current: 0.05  $\mu$ A (for TC or RTD b-terminal)

Measurement current(RTD): about 0.13 mA

Input resistance:

1 M $\Omega$  or more for TC or mV input

About 1 M $\Omega$  for DC voltage input

Allowable signal source resistance:

250  $\Omega$  or less for TC or mV input

Signal source resistance effect

0.1  $\mu$ V/ $\Omega$  or less

2 k $\Omega$  or less for DC voltage input

Signal source resistance effect

Approx. 0.01%/100  $\Omega$

Allowable leadwire resistance (for RTD input):

Maximum 150  $\Omega$ /one wire (Lead resistances of three wires must be equal.)

However, it must be 10  $\Omega$ /one wire for the range of -150.0 to 150.0 $^{\circ}$ C.

Effect of wiring resistance:  $\pm$ 0.1 $^{\circ}$ C/10  $\Omega$

Allowable input voltage:

$\pm$ 10 V DC for TC/mV/RTD input

$\pm$ 20 V DC for DC voltage input

Noise rejection ratio:

Normal mode 40 dB (50/60 Hz) or more

Common mode 120 dB (50/60 Hz) or more

Reference junction compensation error:

$\pm$ 1.0 $^{\circ}$ C (15 to 35 $^{\circ}$ C),  $\pm$ 1.5 $^{\circ}$ C (0 to 15 $^{\circ}$ C and 35 to 50 $^{\circ}$ C)

Applicable standards: JIS, IEC, and DIN (ITS-90) for TC and RTD

Input type		Input range code	Instrument range ( $^{\circ}$ C)	Instrument range ( $^{\circ}$ F)	Instrument accuracy*1	
Unspecified (When shipped from the factory)		OFF	Set the data item PV input type "IN 1" to the OFF option to leave the PV input type undefined.			
Thermocouple	K	1	-270.0 to 1370.0 $^{\circ}$ C	-450.0 to 2500.0 $^{\circ}$ F	$\pm$ 0.1% $\pm$ 1 digit of instrument range at 0 $^{\circ}$ C or more $\pm$ 0.2% $\pm$ 1 digit of instrument range at less than 0 $^{\circ}$ C • However, $\pm$ 2% $\pm$ 1 digit of instrument range for type K at temperatures less than -200 $^{\circ}$ C. • However, $\pm$ 1% $\pm$ 1 digit of instrument range for type T at temperatures less than -200 $^{\circ}$ C.	
		2	-270.0 to 1000.0 $^{\circ}$ C	-450.0 to 2300.0 $^{\circ}$ F		
		3	-200.0 to 500.0 $^{\circ}$ C	-200.0 to 1000.0 $^{\circ}$ F		
	J	4	-200.0 to 1200.0 $^{\circ}$ C	-300.0 to 2300.0 $^{\circ}$ F		
	T	5	-270.0 to 400.0 $^{\circ}$ C	-450.0 to 750.0 $^{\circ}$ F		
		6	0.0 to 400.0 $^{\circ}$ C	-200.0 to 750.0 $^{\circ}$ F		
	B	7	0.0 to 1800.0 $^{\circ}$ C	32 to 3300 $^{\circ}$ F		$\pm$ 0.15% $\pm$ 1 digit of instrument range at 400 $^{\circ}$ C or more $\pm$ 5% $\pm$ 1 digit of instrument range at less than 400 $^{\circ}$ C
	S	8	0.0 to 1700.0 $^{\circ}$ C	32 to 3100 $^{\circ}$ F		$\pm$ 0.15% $\pm$ 1 digit of instrument range
	R	9	0.0 to 1700.0 $^{\circ}$ C	32 to 3100 $^{\circ}$ F		
	N	10	-200.0 to 1300.0 $^{\circ}$ C	-300.0 to 2400.0 $^{\circ}$ F		$\pm$ 0.1% $\pm$ 1 digit of instrument range $\pm$ 0.25% $\pm$ 1 digit of instrument range for temperature at less than 0 $^{\circ}$ C
	E	11	-270.0 to 1000.0 $^{\circ}$ C	-450.0 to 1800.0 $^{\circ}$ F		$\pm$ 0.1% $\pm$ 1 digit of instrument range at 0 $^{\circ}$ C or more $\pm$ 0.2% $\pm$ 1 digit of instrument range at less than 0 $^{\circ}$ C
	L (DIN)	12	-200.0 to 900.0 $^{\circ}$ C	-300.0 to 1600.0 $^{\circ}$ F		• However, $\pm$ 1.5% $\pm$ 1 digit of instrument range for type E at temperature less than -200 $^{\circ}$ C.
	U (DIN)	13	-200.0 to 400.0 $^{\circ}$ C	-300.0 to 750.0 $^{\circ}$ F		
	W (DIN)	14	0.0 to 400.0 $^{\circ}$ C	-200.0 to 1000.0 $^{\circ}$ F		
0.0 to 2300.0 $^{\circ}$ C			32 to 4200 $^{\circ}$ F	$\pm$ 0.2% $\pm$ 1 digit of instrument range		
Platinel 2	16	0.0 to 1390.0 $^{\circ}$ C	32.0 to 2500.0 $^{\circ}$ F	$\pm$ 0.1% $\pm$ 1 digit of instrument range		
PR20-40	17	0.0 to 1900.0 $^{\circ}$ C	32 to 3400 $^{\circ}$ F	$\pm$ 0.5% $\pm$ 1 digit of instrument range at 800 $^{\circ}$ C or more Accuracy not guaranteed for temperature less than 800 $^{\circ}$ C		
W97Re3-W75Re25	18	0.0 to 2000.0 $^{\circ}$ C	32 to 3600 $^{\circ}$ F	$\pm$ 0.2% $\pm$ 1 digit of instrument range		
RTD	JPt100	30	-200.0 to 500.0 $^{\circ}$ C	-300.0 to 1000.0 $^{\circ}$ F	$\pm$ 0.1% $\pm$ 1 digit of instrument range (Note 1) (Note 2)	
		31	-150.00 to 150.00 $^{\circ}$ C	-200.0 to 300.0 $^{\circ}$ F	$\pm$ 0.2% $\pm$ 1 digit of instrument range (Note 1)	
	Pt100	35	-200.0 to 850.0 $^{\circ}$ C	-300.0 to 1560.0 $^{\circ}$ F	$\pm$ 0.1% $\pm$ 1 digit of instrument range (Note 1) (Note 2)	
		36	-200.0 to 500.0 $^{\circ}$ C	-300.0 to 1000.0 $^{\circ}$ F		
		37	-150.00 to 150.00 $^{\circ}$ C	-200.0 to 300.0 $^{\circ}$ F	$\pm$ 0.2% $\pm$ 1 digit of instrument range (Note 1)	
Standard signal	0.4 to 2V	40	0.400 to 2.000 V	Display range -19999 to 30000 Display span 30000 or less (Decimal point position changeable)	$\pm$ 0.1% $\pm$ 1 digit of instrument range	
	1 to 5V	41	1.000 to 5.000 V			
DC voltage	0 to 2V	50	0.000 to 2.000 V			
	0 to 10V	51	0.00 to 10.00 V			
	-10 to 20mV	55	-10.00 to 20.00 mV			
	0 to 100mV	56	0.0 to 100.0 mV			

Note 1: The accuracy is  $\pm$ 0.3 $^{\circ}$ C of instrument range  $\pm$ 1 digit for a temperature range from 0 to 100 $^{\circ}$ C.

Note 2: The accuracy is  $\pm$ 0.5 $^{\circ}$ C of instrument range  $\pm$ 1 digit for a temperature range from -100 to 200 $^{\circ}$ C.

\*1: Performance in the standard operating conditions (at 23 $\pm$ 2 $^{\circ}$ C, 55 $\pm$ 10% RH, and 50/60Hz power frequency)

**Auxiliary Analog Input Signal**

(UT520-□7 or -□8 only)

Functions: Remote setting input, tracking input, cascade control secondary-loop PV input, etc.

Input type: Settable within the range of voltage input 0 to 2 V DC, 0 to 10 V DC, 0.4 to 2.0 V DC or 1 to 5 V DC.

Number of inputs: 1 point

Sampling period: 100, 200 or 500 ms

Auxiliary analog input period is linked with PV sampling period.

(when PV input period is 50ms, auxiliary analog input period is 100ms)

Input resistance: Approx. 1 MΩ

Input accuracy:  $\pm 0.3\% \pm 1$  digit of input span for 0 to 2 V DC input $\pm 0.2\% \pm 1$  digit of input span for 0 to 10 V DC input $\pm 0.375\% \pm 1$  digit of input span for 0.4 to 2.0 V DC range $\pm 0.3\% \pm 1$  digit of input span for 1 to 5 V DC rangePerformance in the standard operating conditions (at  $23 \pm 2^\circ\text{C}$ ,  $55 \pm 10\%$  RH, and 50/60Hz power frequency)**Retransmission Output**

Any of the PV, target setpoint or control output is output.

Or this can be used for 15 V DC loop power supply.

Number of output points: 1 or 2

Output signal: 4 to 20 mA DC, 0 to 20 mA DC, 20 to 4 mA DC or 20 to 0 mA DC (0 mA or less cannot be output)

Load resistance: 600 Ω or less

Output accuracy:  $\pm 0.1\%$  of span ( $\pm 5\%$  for 1 mA or less)  
Performance in the standard operating conditions (at  $23 \pm 2^\circ\text{C}$ ,  $55 \pm 10\%$  RH, and 50/60Hz power frequency)

When using for 15 V DC loop power supply:

Supply voltage 14.5 to 18.0 V DC, maximum supply current about 21 mA (with the protection circuit at field short-circuit)

**Control Outputs**

Select the control output from the following output types depending on the product model and UT mode.

**Current output**

Number of output points: 1 (switchable to voltage pulse output)

Output signal: 4 to 20 mA DC, 0 to 20 mA DC, 20 to 4 mA DC or 20 to 0 mA DC (0 mA or less cannot be output)

Load resistance: 600 Ω or less

Output accuracy:  $\pm 0.1\%$  of span ( $\pm 5\%$  for 1 mA or less)Performance in the standard operating conditions (at  $23 \pm 2^\circ\text{C}$ ,  $55 \pm 10\%$  RH, and 50/60Hz power frequency)**Voltage pulse output**

Number of output points:

1 (switchable to current output)

Output signal:

ON voltage 12 V DC or more (load resistance 600 Ω or more; current on short-circuiting about 30 mA)

OFF voltage 0.1 V DC or less

Resolution: 10 ms or 0.1% of output value, whichever is greater

**Relay contact output**

Number of output points: 1

Output signal: At three terminals of NC, NO, and Common

Contact rating: 250 V AC, 3 A or 30 V DC, 3 A (resistive load)

Resolution: 10 ms or 0.1% of output value, whichever is greater

**Contact Inputs**

Usage: Target setpoint switching, C/A/M mode switching, REMOTE/LOCAL switching, RUN/STOP switching, or Measured input switching

Number of input points:

Varies with optional codes (as shown below):

UT520-□0: 2 points

UT520-□7: 4 points

UT520-□8: 4 points

Input type: Non-voltage contact input or transistor open collector input

Input contact rating: 12 V DC, 10 mA or more

ON/OFF detection:

For non-voltage contact input,

On .. contact resistance 1 kΩ or less;

Off.. contact resistance 20 kΩ or more

For transistor contact input,

On .. 2 V or less;

Off.. leak current 100 μA or less

Minimum retention time for status detection: PV input sampling period  $\times 3$

**Contact Outputs**

Usage: Alarm output, FAIL output

Number of output points:

3 (relay output)

However, when a relay is not used for control output, the relay for control output can be used for the alarm 4. For this reason, the number of relay output points can be changed to 4 by adding to the above 3.

Relay contact rating: 240 V AC, 1 A or 30 V DC, 1 A

**● Display Specifications**

Measured value (PV) display:

5-digit seven-segment red color LED display;  
height of letters 12 mm

Data display:

3 digits + 5 digits, seven-segment red color  
LED display; height of letters 9.3 mm

Status indicating lamps: LEDs

**● Conformance to Safety and EMC Standards**

Safety: Compliant with IEC/EN61010-1: 2001, approved by CSA1010, approved by UL508.

Installation category : CAT. II (IEC/EN61010, CSA1010) Pollution degree : 2 (IEC/EN61010, CSA1010)

Measurement category : I (CAT. I : IEC/EN61010)

Rated measurement input voltage : 10V DC max.(across terminals), 300V AC max.(across ground)

Rated transient overvoltage : 1500V (Note)

Note : It is a value on the safety standard which is assumed by IEC/EN61010-1 in measurement category I, and is not the value which guarantees an apparatus performance.

EMC standards: Complies with EN61326

During test, the controller continues to operate with the measurement accuracy within  $\pm 20\%$  of the range.

**● Construction, Installation, and Wiring**

Construction: Dust-proof and Drip-proof front panel conforming to IP55.

For side-by-side close installation, controller loses its dust-proof and drip-proof protection.

Material of the body: ABS resin and polycarbonate

Case color: Black

Weight: Approx. 1 kg or less

External dimensions:

48W  $\times$  96H  $\times$  100D (from the panel face)  
(mm)

Mounting: Direct panel mounting; mounting bracket, one each for upper and lower mounting

Panel cutout dimensions:

$45^{+0.6}_0$ W  $\times$   $92^{+0.8}_0$ H (mm)

Mounting attitude:

Up to 30 degrees from horizontal; Must not face downward.

Wiring connection:

With M3.5 screw terminals (for signal, power and grounding wiring)

**● Power Supply and Isolation**

Power supply: Rated voltage 100 to 240 V AC ( $\pm 10\%$ ), 50/60 Hz

Power consumption: MAX. 20 VA or less (MAX. 8.0W)

Memory backup: Non-volatile memory. Service life approx. 100000 times of writings.

Withstanding voltage:

1500 V AC for 1 min.

between primary terminals and secondary terminals

1500 V AC for 1 min.

between primary terminals and ground terminal

1500 V AC for 1 min.

between ground terminal and secondary terminals

500 V AC for 1 min.

between secondary terminals

(where primary terminals stand for power and relay output terminals and secondary terminals stand for analog input and output signal terminals, voltage pulse output terminals, and contact input terminals.)

Isolation resistance:

20 M $\Omega$  or more for 500 V DC applied

between power terminals and ground terminal

Grounding: Class 3 grounding (grounding resistance of 100  $\Omega$  or less)

**Isolation Specifications**

Measured input terminal : Isolated from other input/output terminals but not isolated from internal circuits.

Auxiliary analog input terminal: Isolated from other input/output terminals and internal circuits.

Control output (current output or voltage pulse output) and retransmission output: Not isolated between control outputs and retransmission output, but isolated from other input/output terminals and internal circuits.

Relay contact control output terminals: Isolated from other input/output terminals and internal circuits.

Contact input terminals: Not isolated from other contact input terminals, and communication terminals, but isolated from other input/output terminals and internal circuits.

Relay contact alarm output terminals: Not isolated from other relay contact alarm outputs, but isolated from other input/output terminals and internal circuits.

RS-485 communication terminals: Not isolated from contact input terminals, but isolated from other input/output terminals and internal circuits.

Power terminals: Isolated from other input/output terminals and internal circuits.

Ground terminal: Isolated from other input/output terminals and internal circuits.

● **Environmental Conditions**

Normal operating conditions:

Ambient temperature: 0 to 50°C (40°C or less in close mounting side-by-side)  
However, 0 to 45°C (35°C or less in close mounting side-by-side) if two analog current output points and the control relay output are used simultaneously.

Temperature change rate limit: 10°C/h or less

Ambient humidity: 20 to 90% RH (no condensation)

Magnetic field: 400 A/m or less

Continuous vibration (5 to 14 Hz):

Peak-to-peak amplitude 1.2 mm or less

Continuous vibration (14 to 150 Hz):

4.9 m/s<sup>2</sup> or less

Short period vibration: 14.7 m/s<sup>2</sup>, 15 s or less

Shock: 147 m/s<sup>2</sup> or less, 11 ms

Installation altitude: 2000 m or less above sea level

Warm-up time: 30minutes or more

Transportation and storage conditions:

Temperature: -25 to 70°C

Temperature change rate limit: 20°C/h or less

Humidity: 5 to 95% RH (no condensation)

Effects of operating conditions

Effect of ambient temperature:

Whichever is greater,  $\pm 1 \mu\text{V}/^\circ\text{C}$  or  $\pm 0.01\%$  of F.S./ $^\circ\text{C}$  for voltage or thermocouple inputs.

$\pm 0.02\%$  of F.S./ $^\circ\text{C}$  for Auxiliary input

$\pm 0.05^\circ\text{C}/^\circ\text{C}$  (ambient temperature) or less for RTD inputs.

$\pm 0.05\%$  of F.S./ $^\circ\text{C}$  or less for analog outputs.

Effect of power supply fluctuation (within rated voltage range):

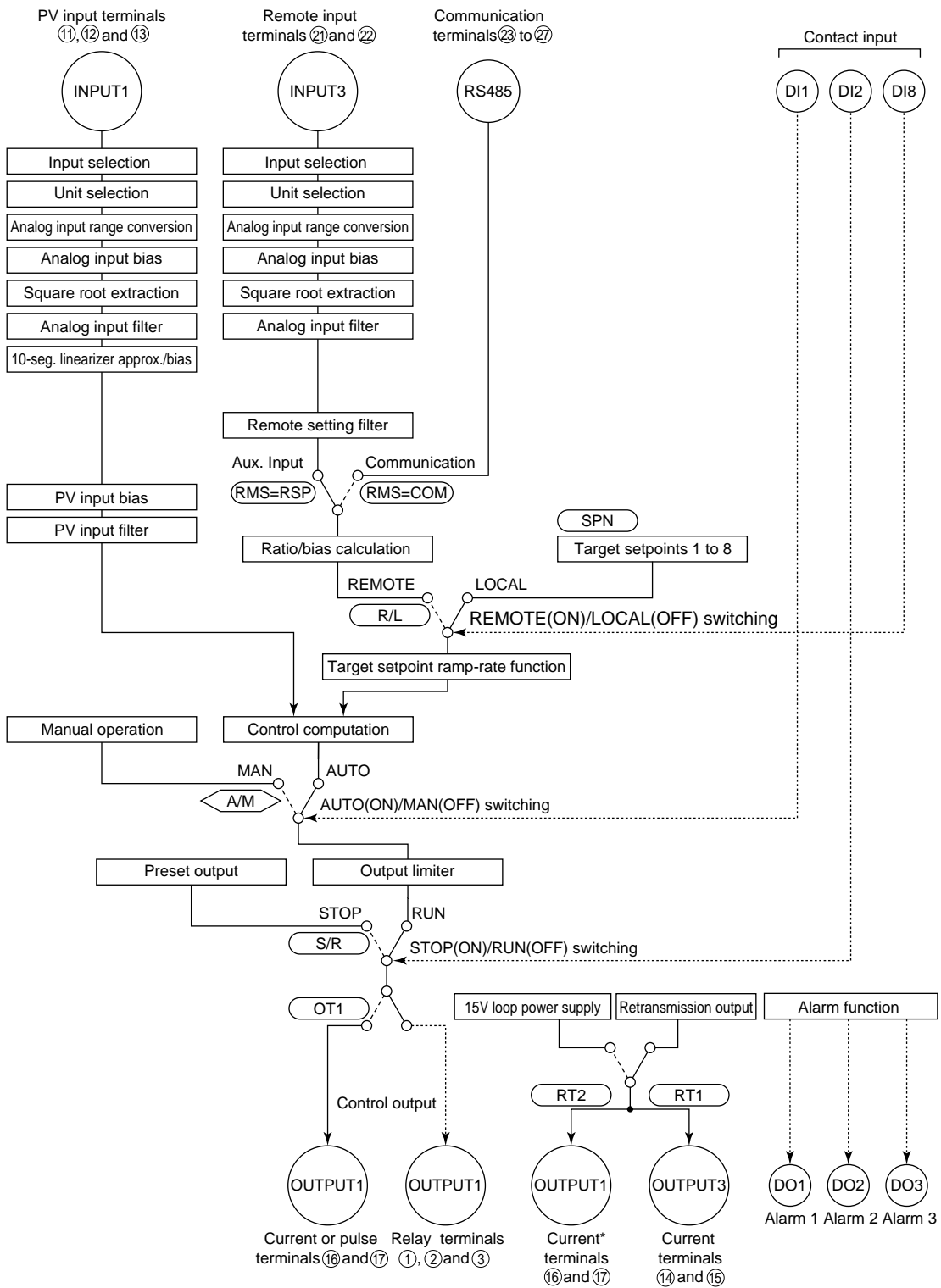
Whichever is greater,  $\pm 1 \mu\text{V}/10 \text{ V}$  or

$\pm 0.01\%$  of F.S./10 V for analog inputs.

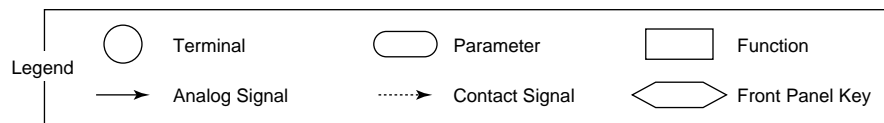
$\pm 0.05\%$  of F.S./10 V or less for analog outputs.



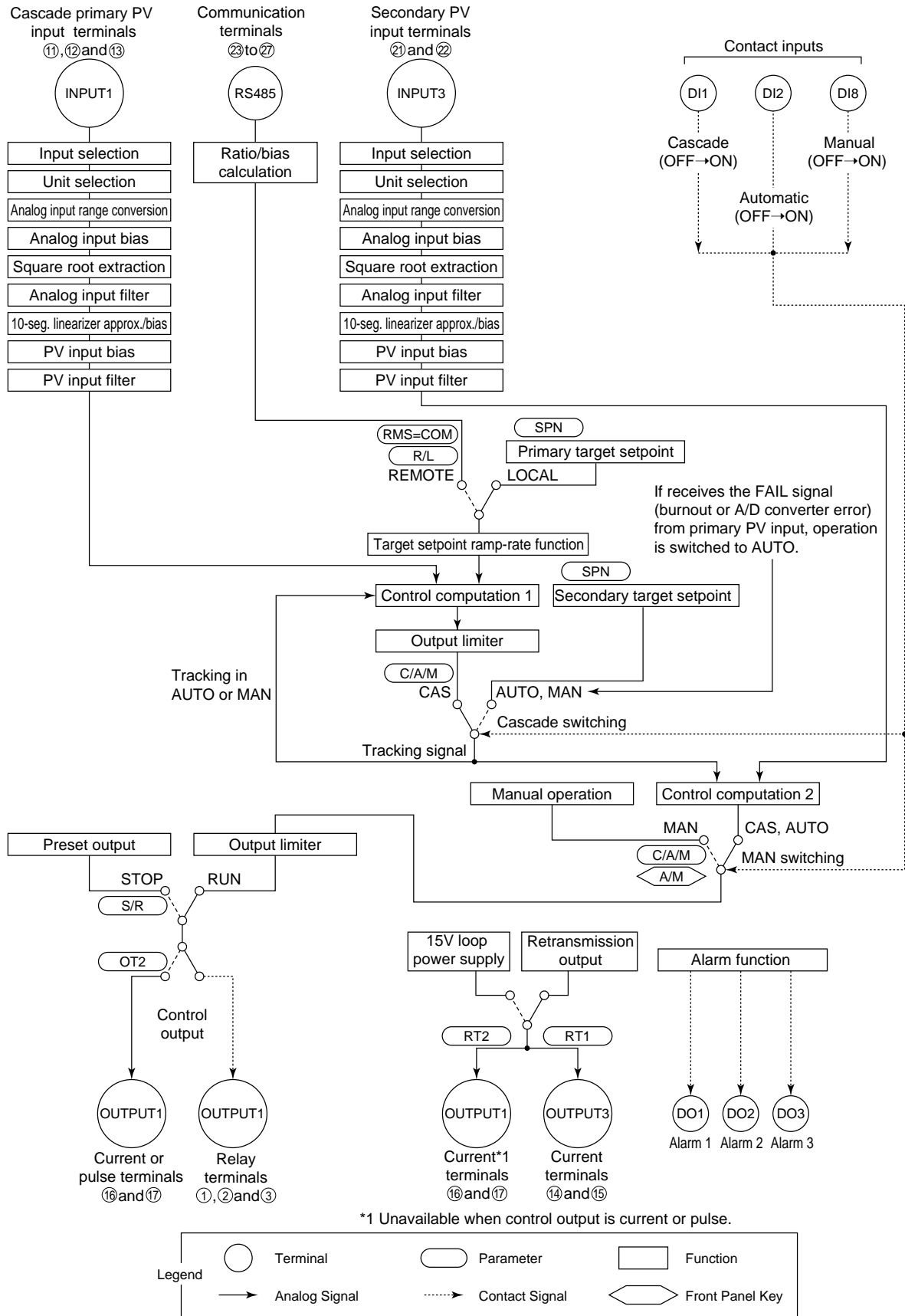
## ■ Function Block Diagram for Single-loop Control



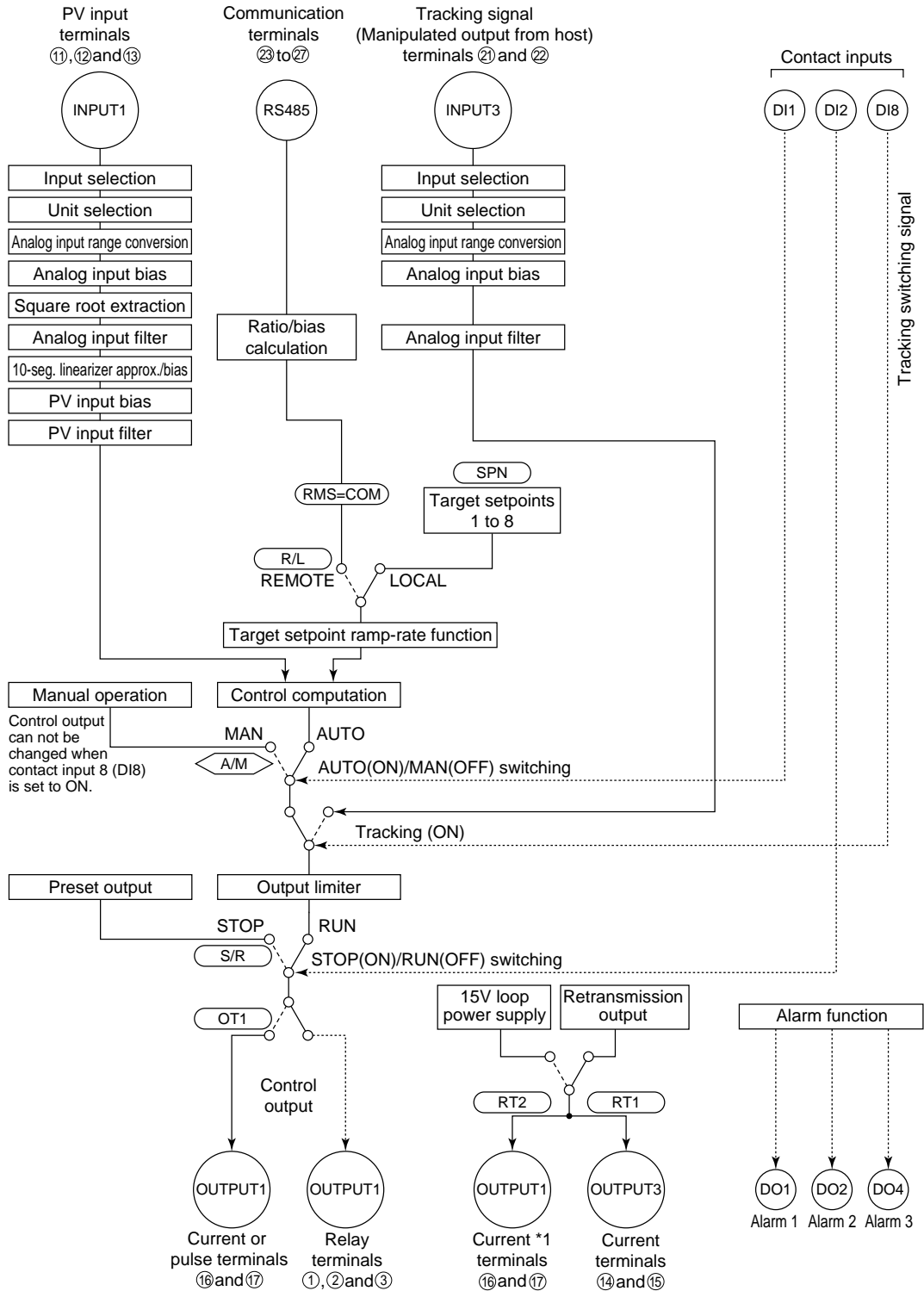
\* Unavailable when control output is current or pulse.



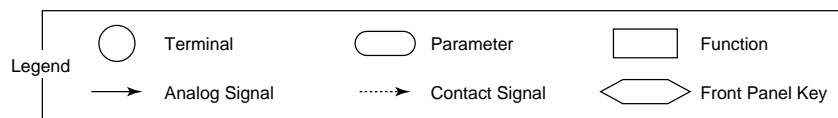
**Function Block Diagram for Cascade Control**



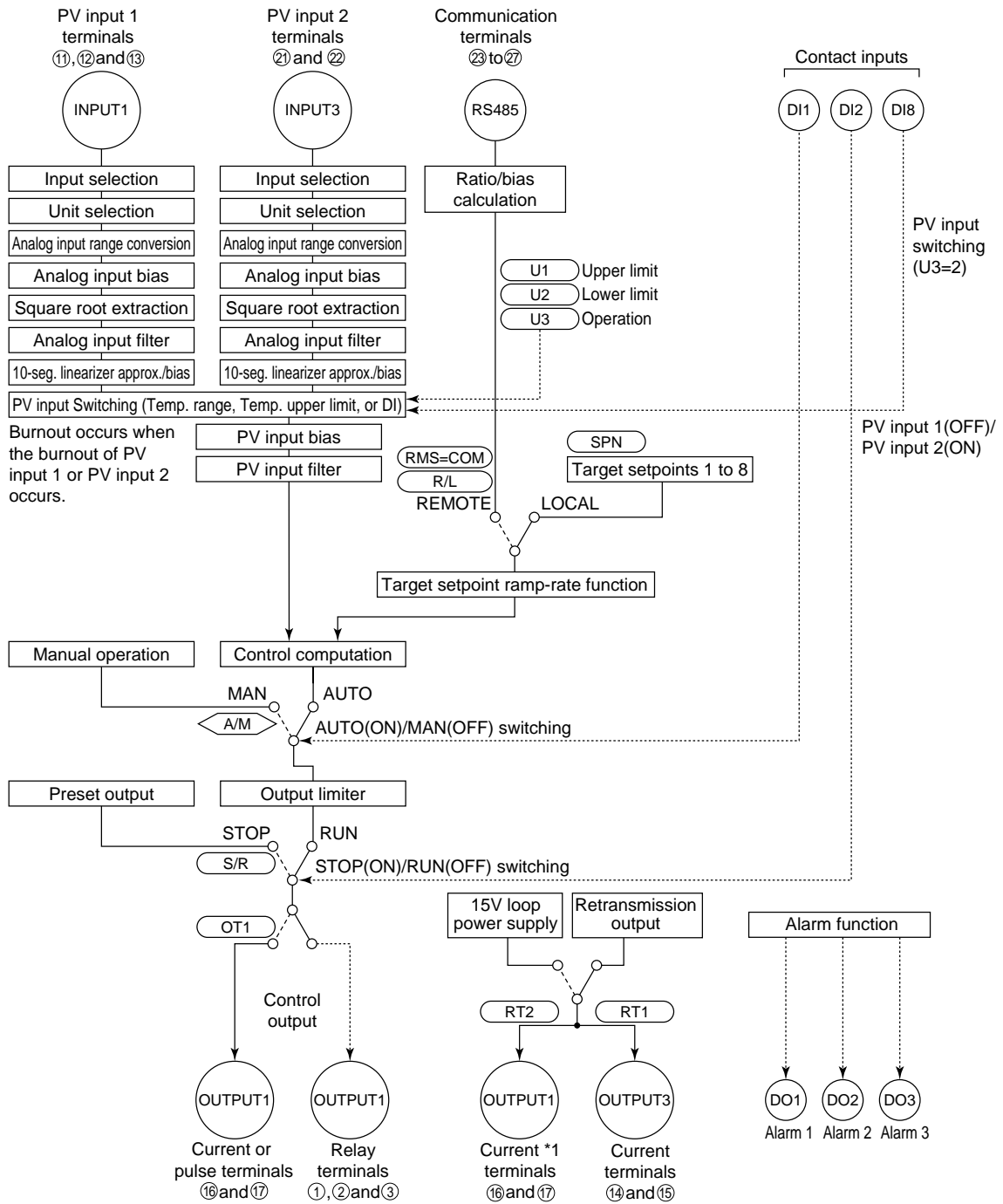
## Function Block Diagram for Loop Control for Backup



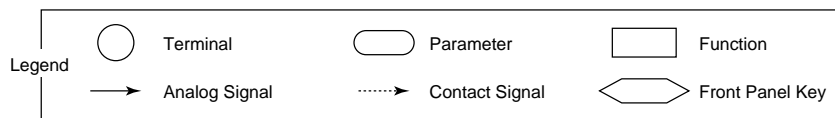
\*1 Unavailable when control output is current or pulse.



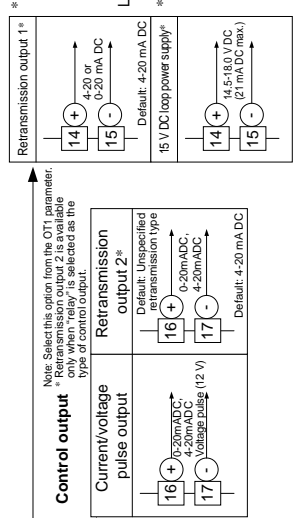
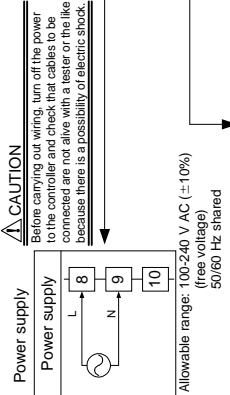
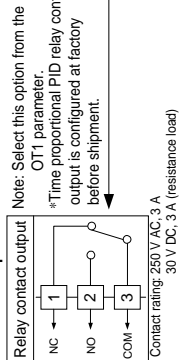
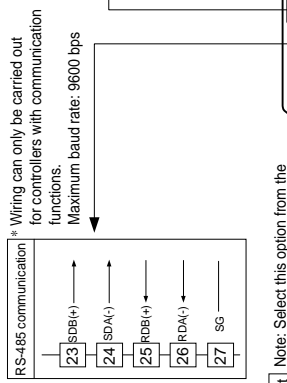
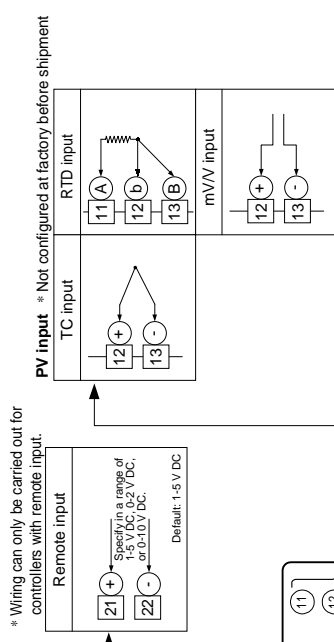
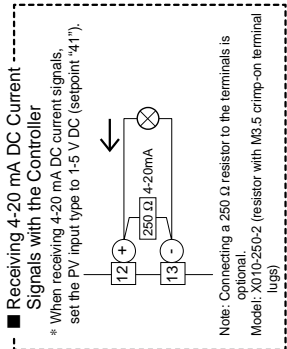
## ■ Function Block Diagram for Loop Control with PV Switching



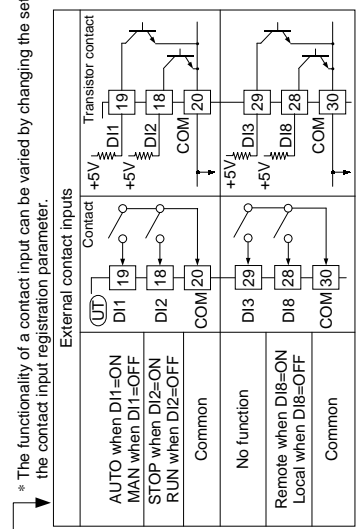
\*1 Unavailable when control output is current or pulse.



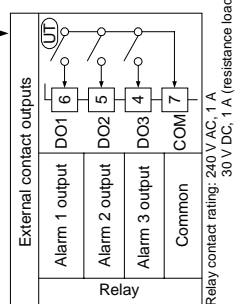
# ■ UT520 Single-loop Control (Factory-set to Single-loop Control), Terminal Arrangements



\* The functionality of a contact input can be varied by changing the setting of the contact input registration parameter.



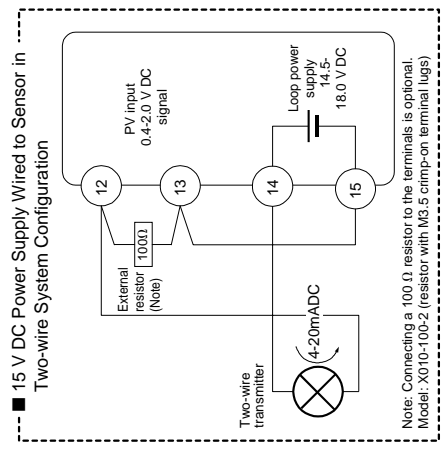
Note: External Contact Input  
If the power is turned on when the external contact input is OFF, the mode (SPN, R/L, or A/M) existing before the power is turned off will be continued. (except for RUN/STOP)



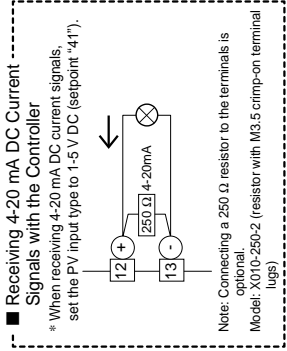
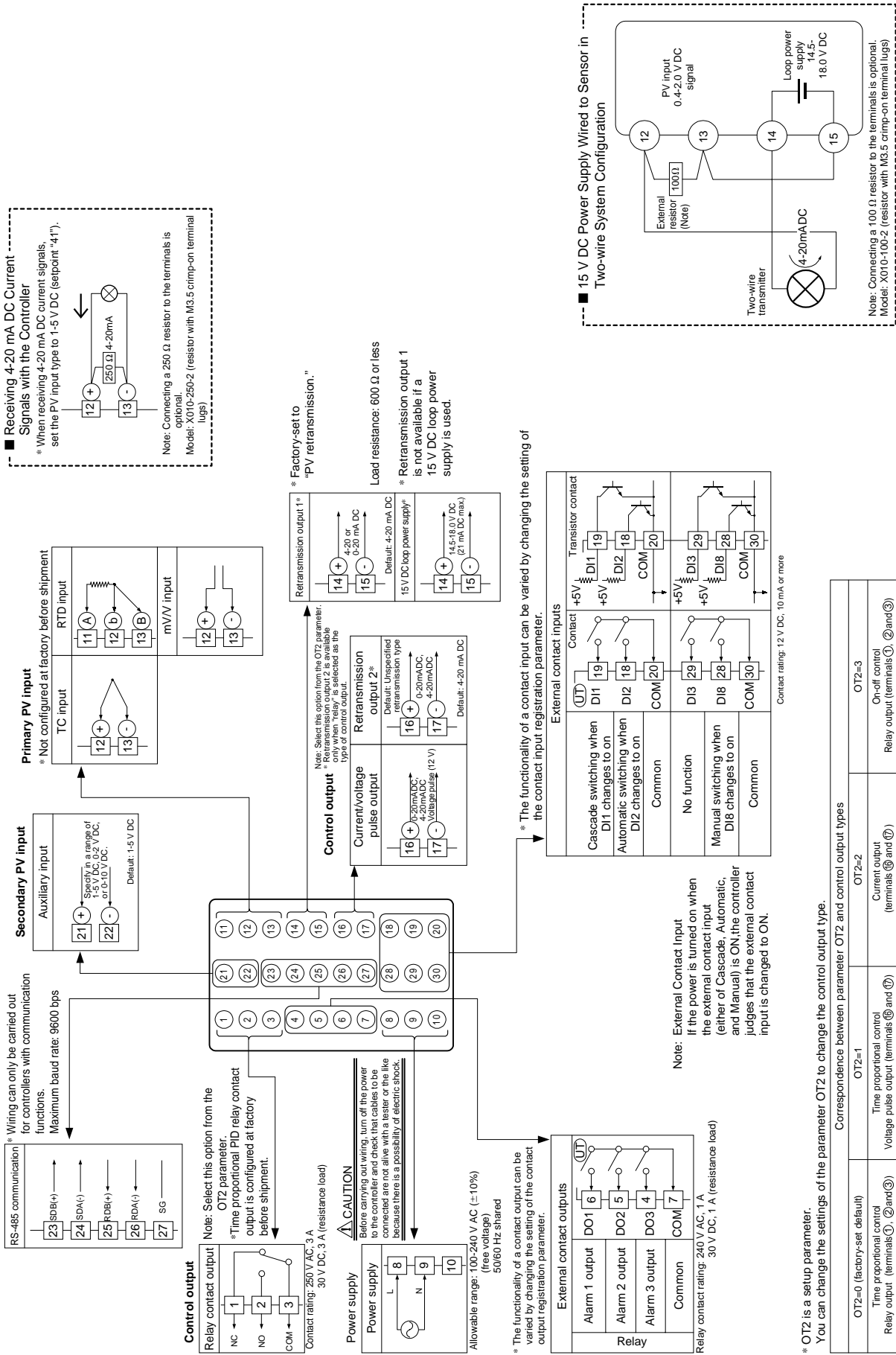
\* OT1 is a setup parameter. You can change the settings of the parameter OT1 to change the control output type.

Correspondence between parameter OT1 and control output types

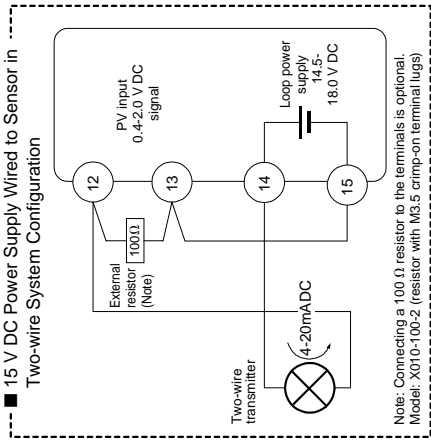
OT1=0 (factory-set default)	OT1=1	OT1=2	OT1=3
Time proportional control Relay output (terminals ①, ② and ③)	Time proportional control Voltage pulse output (terminals ⑥ and ⑦)	Current output (terminals ⑩ and ⑪)	On-off control Relay output (terminals ①, ② and ③)



# ■ UT520 Cascade Control, Terminal Arrangements



\* Factory-set to "PV retransmission."  
 Load resistance: 600 Ω or less  
 \* Retransmission output 1 is not available if a 15 V DC loop power supply is used.



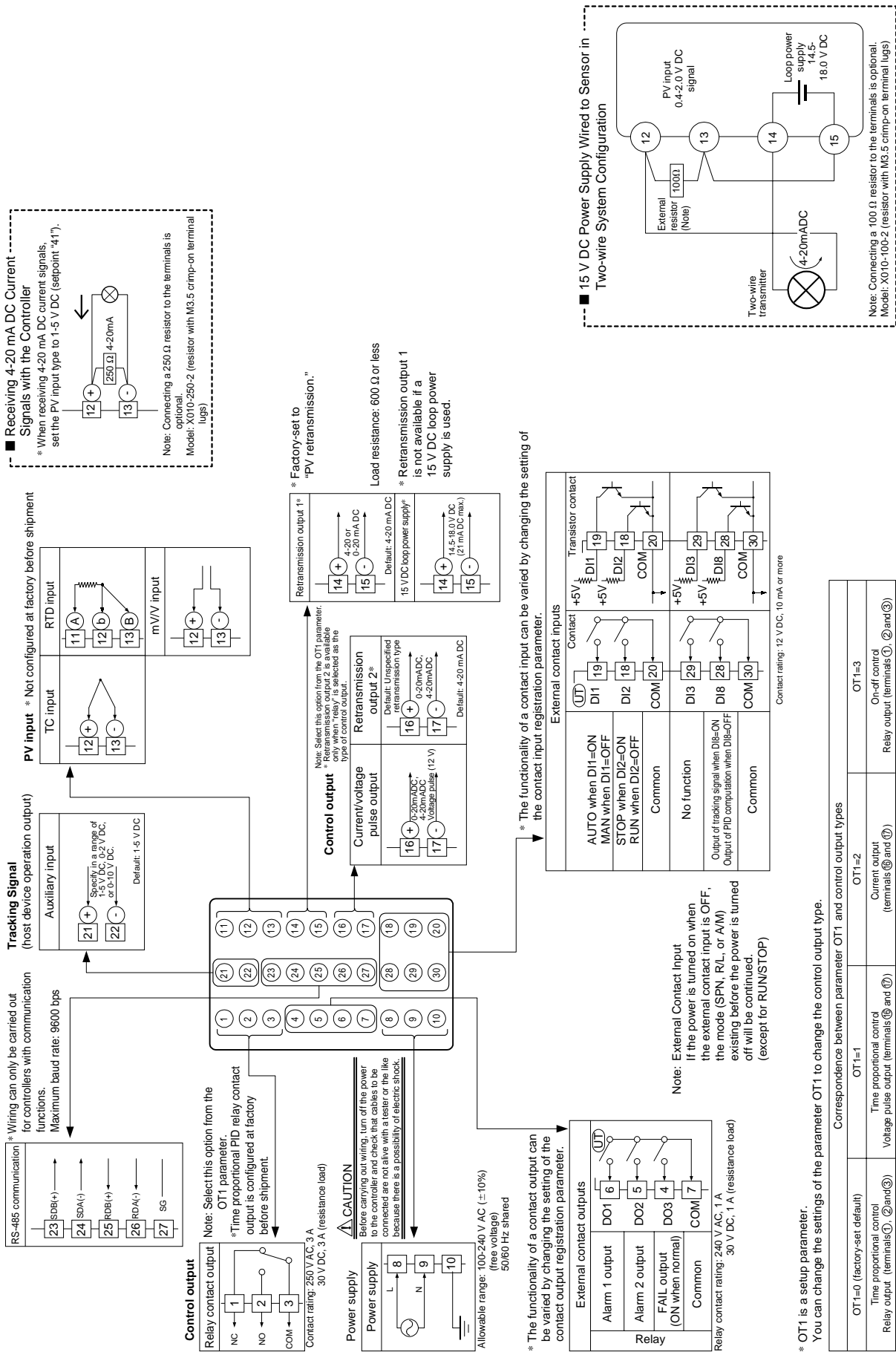
\* The functionality of a contact input can be varied by changing the setting of the contact input registration parameter.

Note: External Contact Input  
 If the power is turned on when the external contact input (either of Cascade, Automatic, and Manual) is ON, the controller judges that the external contact input is changed to ON.

\* OT2 is a setup parameter. You can change the settings of the parameter OT2 to change the control output type.

Correspondence between parameter OT2 and control output types	
OT2=1	OT2=2
OT2=0 (factory-set default)	OT2=3
Time proportional control Voltage pulse output (terminals ⑥ and ⑦)	On-off control (terminals ② and ③)
Relay output (terminals ①, ② and ③)	Relay output (terminals ② and ③)

# UT520 Loop Control for Backup, Terminal Arrangements

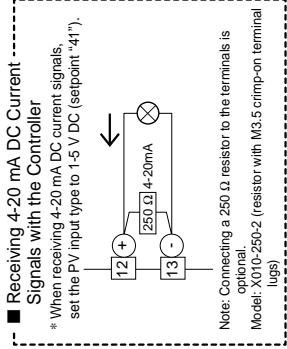
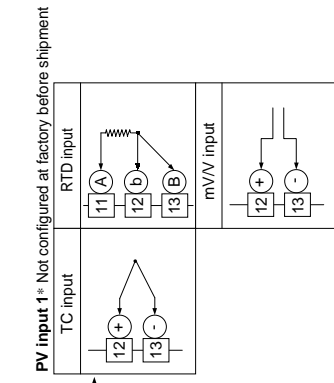
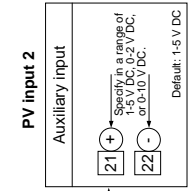
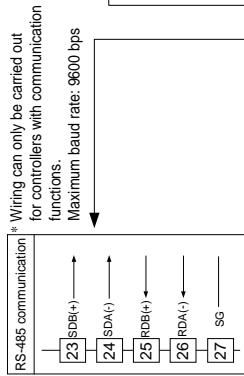


\* OT1 is a setup parameter. You can change the settings of the parameter OT1 to change the control output type.

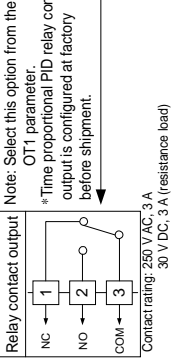
Correspondence between parameter OT1 and control output types

OT1=0 (factory-set default)	OT1=1	OT1=2	OT1=3
Time proportional control	Time proportional control	Current output (terminals ⑥ and ⑦)	On-off control (terminals ①, ② and ③)
Relay output (terminals ②, ③ and ④)	Voltage pulse output (terminals ⑥ and ⑦)	Relay output (terminals ①, ② and ③)	

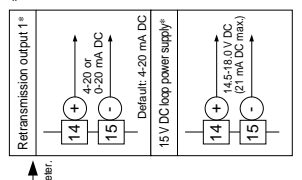
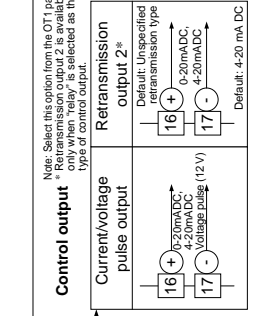
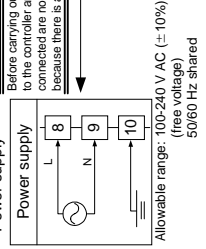
# ■ UT520 Loop Control with PV Switching, Terminal Arrangements



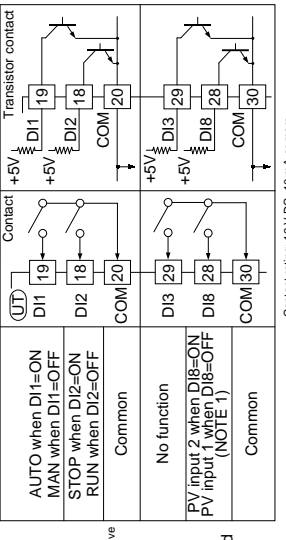
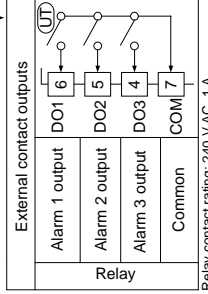
## Control output



## Power supply

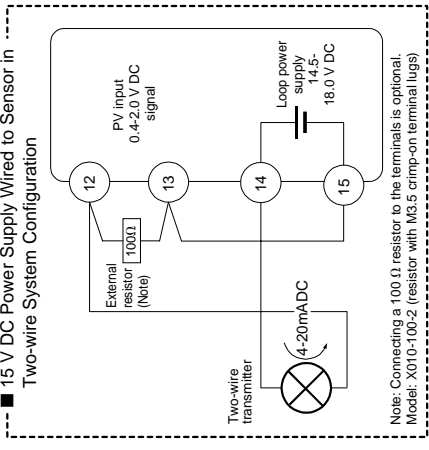


\* The functionality of a contact output can be varied by changing the setting of the contact input registration parameter.



\* OT1 is a setup parameter. You can change the settings of the parameter OT1 to change the control output type.

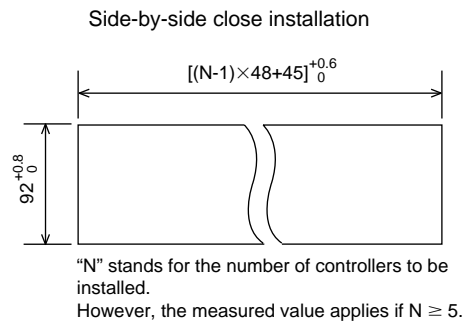
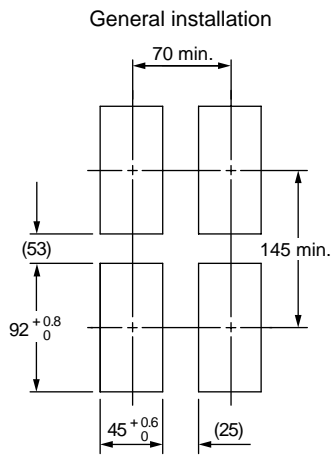
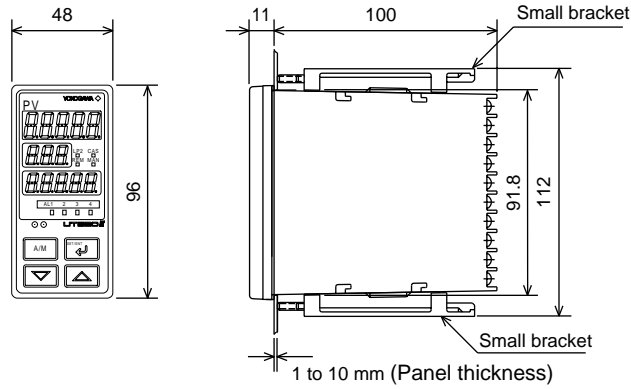
Correspondence between parameter OT1 and control output types	
OT1=0 (factory-set default)	OT1=1
Time proportional control	Time proportional control
Relay output (terminals ②, ③ and ④)	Voltage pulse output (terminals ⑥ and ⑦)
OT1=3	OT1=2
On-off control	Current output (terminals ⑩ and ⑪)
Relay output (terminals ①, ② and ③)	Relay output (terminals ①, ② and ③)





External Dimensions and Panel Cutout Dimensions

Unit: mm



## ■ Model and Suffix Codes

Model	Suffix Code	Description
UT520		Digital indicating controller (provided with retransmission output and 15 V DC loop power supply as standard)
Type	-0	Standard type
Optional functions	0	None
	7	With communication, auxiliary analog (remote) input, and 2 additional DIs
	8	With auxiliary analog (remote) input and 2 additional DIs

Standard accessories: Brackets (mounting hardware), unit label, User's Manuals, and User's Manual (reference) (CD-ROM version).

Specify the required optional function codes according to the UT mode to be used.

### Correspondence between UT mode and suffix code

UT mode	Specification code →	00	07	08	Remarks
Single-loop control	(UT mode 1)	Cond.	App.	App.	Cond.: Remote target setting not available The remote target setting function requires the auxiliary analog input (optional function) to be specified.
Cascade primary loop control	(UT mode 2)	N/A	App.	App.	
Cascade secondary loop control	(UT mode 3)	N/A	App.	App.	
Cascade control	(UT mode 4)	N/A	App.	App.	Auxiliary analog input is used for the cascade input.
Loop control for backup	(UT mode 5)	N/A	App.	App.	Auxiliary analog input is used for the tracking input.
Loop control with PV switching	(UT mode 6)	N/A	App.	App.	Auxiliary analog input is used for the PV input 2.
Loop control with PV auto-selector	(UT mode 7)	N/A	App.	App.	Auxiliary analog input is used for the PV input 2.
Loop control with PV-hold function	(UT mode 8)	Cond.	App.	App.	Cond.: Remote target setting not available The remote target setting function requires the auxiliary analog input (optional function) to be specified.

App.: Function available, Cond.: Function available conditionally, N/A: Function not available

## ■ Correspondence between the Model and Suffix Codes, and the Contact Input/Output Terminals Provided

Check the model ordered and the presence/absence of contact inputs and outputs in the following table.

✓ indicate that the contacts are available.

Model and Suffix Codes	Contact input terminals								Contact output terminals						
	DI1	DI2	DI3	DI4	DI5	DI6	DI7	DI8	DO1	DO2	DO3	DO4	DO5	DO6	DO7
UT520-00	✓	✓							✓	✓	✓				
UT520-07	✓	✓	✓					✓	✓	✓	✓				
UT520-08	✓	✓	✓					✓	✓	✓	✓				

## ■ Items to be Specified When Ordering

Model and suffix codes, necessary/unnecessary of User's Manual or QIC.